

Stony Brook University



OFFICIAL COPY

The official electronic file of this thesis or dissertation is maintained by the University Libraries on behalf of The Graduate School at Stony Brook University.

© All Rights Reserved by Author.

**Design of a Novel Glitch-Free Integrated Clock Gating Cell for
High Reliability**

A Thesis Presented

by

Tasnuva Noor

to

The Graduate School

in Partial Fulfillment of the

Requirements

for the Degree of

Master of Science

in

Electrical Engineering

Stony Brook University

May 2016

Stony Brook University

The Graduate School

Tasnuva Noor

We, the thesis committee for the above candidate for the
Master of Science degree, hereby recommend
acceptance of this thesis.

Dr. Emre Salman - Thesis Advisor
Assistant Professor, Electrical and Computer Engineering
Department

Dr. Sangjin Hong - Second Reader
Professor, Electrical and Computer Engineering Department

This thesis is accepted by the Graduate School

Charles Taber
Dean of the Graduate School

Abstract of the Thesis

**Design of a Novel Glitch-Free Integrated Clock Gating Cell for
High Reliability**

by

Tasnuva Noor

Master of Science

in

Electrical Engineering

Stony Brook University

2016

A novel glitch-free integrated clock gating (ICG) cell is developed and demonstrated in 45 nm CMOS technology. The proposed cell is more reliable as it produces an uninterrupted gated clock signal in cases where glitches occur in the *enable* signal during clock transitions. A detailed comparison of the proposed cell with the existing integrated clock gating cells is also presented. Glitch-free operation (and therefore high reliability) is achieved at the expense of larger power and delay, as quantified for 45 nm CMOS technology. Several design issues and different glitch characteristics are also discussed. The proposed ICG cell is shown to be highly applicable to dual edge triggered flip-flops where existing ICGs fail if there are glitches in the *enable* during clock transitions.

*To the best sister in the world,
Azmeeri Noor*

*And my wonderful husband,
Raqeebul Islam Ketan*

Table of Contents

| | |
|---|-----------|
| Abstract | iv |
| Dedication | iv |
| List of Figures | vii |
| List of Tables | viii |
| Acknowledgements | ix |
| 1 Introduction | 1 |
| 2 Existing Integrated Clock Gating Cells | 6 |
| 2.1 Latch-AND based ICG | 7 |
| 2.2 Latch-NOR based ICG | 9 |
| 3 Proposed Glitch-Free Integrated Clock Gating Cell | 12 |
| 3.1 Limitation of the Existing ICGs | 12 |
| 3.2 Proposed ICG Cell Design | 14 |
| 3.3 Use of the Proposed ICG Cell for Dual Edge Triggered Flip-flops | 17 |
| 3.4 Behavior of the Proposed ICG Cell When Clock is Gated . . . | 20 |
| 3.5 Sensitivity of the Proposed ICG Cell to Glitch Pulse-Width . | 21 |
| 3.6 Performance Comparison | 23 |
| 4 Conclusion | 25 |
| A Schematic Figures | 26 |
| Bibliography | 32 |

List of Figures

| | | |
|------|---|----|
| 1.1 | Generic clock tree with ICG cells in front of registers. | 3 |
| 1.2 | A practical example of clock gating strategy in the clock tree. | 5 |
| 2.1 | Latch-AND based ICG cell for positive edge triggered flip-flops. | 7 |
| 2.2 | Clock gating using only AND gate. | 7 |
| 2.3 | Clock gating using latch-AND based ICG cell. | 8 |
| 2.4 | Layout of the latch-AND based ICG cell. | 8 |
| 2.5 | Latch-NOR ICG cell for negative edge triggered flip-flops. | 9 |
| 2.6 | Clock gating using only NOR gate. | 9 |
| 2.7 | Clock gating using latch-NOR based ICG cell. | 10 |
| 2.8 | Layout of the latch-NOR based ICG cell. | 10 |
| 3.1 | Gated clock from latch-AND based ICG cell when En has glitches. | 13 |
| 3.2 | Gated clock from latch-NOR based ICG cell when En has glitches. | 14 |
| 3.3 | Gate level schematic of the proposed ICG cell. | 15 |
| 3.4 | Gated clock of the proposed ICG cell when En has glitches. | 15 |
| 3.5 | Gated clock of the proposed ICG cell including the intermediate signals. | 16 |
| 3.6 | Layout of the proposed ICG cell. | 17 |
| 3.7 | A traditional dual edge triggered flip-flop using latches and MUX. | 18 |
| 3.8 | Faulty operation of a dual edge triggered flip-flop when gated by a latch-AND based ICG cell. | 19 |
| 3.9 | Faulty operation of a dual edge triggered flip-flop when gated by a latch-NOR based ICG cell. | 19 |
| 3.10 | Proper operation of a dual edge triggered flip-flop when gated by the proposed ICG cell. | 20 |
| 3.11 | GClk if there are glitches when En is zero. | 21 |
| 3.12 | A smaller pulse-width in gated clock signal when there is a glitch in En during the rising transition of the clock. | 22 |

| | | |
|-----|---|----|
| A.1 | Schematic diagram of the proposed ICG cell. | 26 |
| A.2 | Schematic diagram of the latch-AND ICG cell. | 27 |
| A.3 | Schematic diagram of the latch-NOR ICG cell. | 27 |
| A.4 | Schematic diagram of the dual edge triggered flip-flop. | 28 |
| A.5 | Schematic diagram of the positive level sensitive latch | 29 |
| A.6 | Schematic diagram of the negative level sensitive latch | 30 |
| A.7 | Schematic diagram of the 2 to 1 multiplexer | 31 |

List of Tables

3.1 Performance comparison of the proposed ICG cell with the existing ICG cells. 23

ACKNOWLEDGEMENTS

I would like to take this opportunity to express my gratitude towards the incredible people I met, and had a chance to work with during the last two years of my endeavor at Stony Brook University.

First of all, I would like to thank my thesis advisor, Dr. Emre Salman for his patience and diligence towards the completion of this thesis. It was an honor to be able to work under his guidance and gain practical knowledge at every step during the course of the thesis work. His valuable guidance has not only made it possible for me to complete my degree successfully but, I believe, will also help in my professional career.

It was my pleasure to have been a member of the NANOCAS lab. I would like to acknowledge the support of all the lab members, especially Weicheng Liu and Chen Yan for lending me a hand whenever I needed help with problem solving. A very special thanks to Sushil Panda and Krithika Yethiraj, for being such amazing friends and for supporting me throughout the last two years.

Last but not the least, I would like to thank my parents and my sisters for encouraging me in every possible way. And finally, a mere thanks wouldn't be enough to express my gratitude to Ketan, my wonderful partner, for everything he has done for me. This thesis and indeed my Masters degree at Stony Brook University wouldn't have been possible without their boundless support.

Chapter 1

Introduction

In modern system-on-chip (SoC) design, power consumption has become a major issue. As the feature size has been shrinking and the demand of high speed processors has been increasing, the effect of power consumption has become one of the major obstacles in integrated circuit design process.

The overall power consumption in a circuit is divided into static and dynamic power. Although static power is of great significance in the design of nanoscale CMOS digital circuits, managing dynamic power consumption is currently the most effective strategy for power reduction in digital circuits, particularly for nanoscale FinFET technologies where leakage power has been significantly reduced [1,2]. Overall power dissipation in a digital CMOS circuit is

$$P_{total} = P_{dynamic} + P_{static},$$

where,

$$P_{dynamic} = P_{switching} + P_{short-circuit}.$$

The energy consumed due the switching (charging and discharging) of the load

capacitance contributes to the $P_{switching}$. If a capacitance of C is charged and discharged by a clock signal with frequency of f and peak voltage of V , the dynamic power consumption is

$$P = \alpha CV^2 f,$$

where α is the activity factor. Activity factor is the average probability of 0 to 1 transition in a cycle. For example, if a signal switches once every cycle, the activity factor $\alpha = \frac{1}{2}$. As clock signal makes two transitions every cycle, it has the maximum activity factor of 1. Therefore, if the clock signal switching can be controlled, the dynamic power consumption can also be significantly reduced.

There are various techniques to reduce dynamic power consumption such as reducing the operating frequency, voltage swing or the capacitive load of the clock distribution network [3–9]. Power consumption can be further reduced by introducing techniques to reduce the supply voltage although it can be challenging due to the difficulty in scaling the threshold voltage [10]. Each of these techniques exhibits different tradeoffs with performance and reliability. Alternatively, reducing the activity factor of the clock signal by ensuring that it does not switch when not needed can significantly reduce the dynamic power consumption without affecting the supply voltage or the frequency.

Clock gating refers to shutting off the clock signal when the flip-flops are idle. It has been successfully used in custom ASICs, microprocessors, and FPGAs [11]. The most primitive way to achieve clock gating is to include an *enable* signal and gate the clock signal by using an AND or a NOR gate, depending on the type of flip-flops used. The output of this gate is referred to

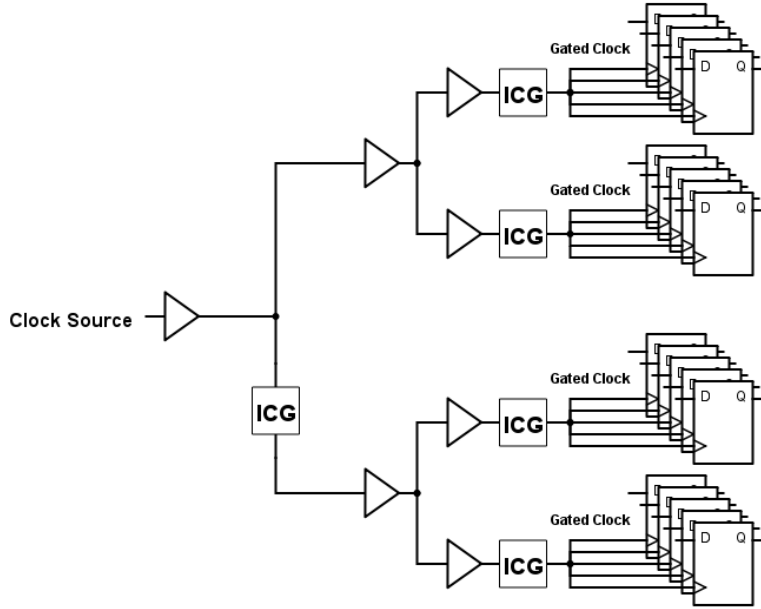


Figure 1.1: Generic clock tree with ICG cells in front of registers.

as a gated clock, which does not switch when the *enable* signal is active [12]. The *enable* signal is achieved internally or externally from a combinational circuit depending on the approach used.

The use of a single gate such as AND or NOR has a significant limitation as it introduces unwanted glitches in the gated clock signal [13]. Since the *enable* signal can change any time, which may not be synchronous with the clock signal, it can cause a glitch in the gated clock. To avoid this situation, a latch is added in front of the logic gate in order to synchronize the *enable* signal with the clock edge. The latch and the logic gate form a new standard cell, referred to as an integrated clock gating (ICG) cell. There are multiple ICG cell implementations using latches/flip-flops with logic gates that aim at reducing power consumption for flip-flops.

A typical method of inserting ICG cells throughout the clock tree is shown in Fig. 1.1. Although ICG cells were initially added adjacent to the registers, alternative approaches to insert ICG cells further up the clock tree have reduced the dynamic power consumption to a greater extent [14].

A practical approach to implementing clock gating technique can be seen in [15], where a 1.15 Gb/s fully parallel non-binary low density parity check (LDPC) decoder with dynamic clock gating is presented. The decoder implements a number of complex check nodes and variable nodes, which are mostly dominated by sequential circuits. As these sequential circuits consume most of the clock switching power, each variable node is designed to detect its convergence and apply clock gating to save power. The clock tree and the clock gating strategy are illustrated in Fig. 1.2. The application of this clock gating method is reported to have reduced energy consumption by 62% at a 1 V supply.

The existing ICG cells designed for single edge triggered flip-flops are compact and effective. However, these existing ICGs are not entirely reliable if the *enable* signal exhibits glitches during clock transitions. Hence, a new design is proposed in this thesis to obtain a glitch-free ICG cell for high reliability.

The *enable* signal, produced from a combinational circuit, can be prone to glitches at any point in time. Thus, the proposed ICG cell is simulated with an *enable* signal that exhibits glitches at different times. It is demonstrated that, irrespective of the occurrence time of the glitch, the proposed ICG cell generates a glitch-free gated clock signal, thereby enhancing the overall reliability of the circuit.

The rest of the thesis is organized as follows. The existing, most commonly

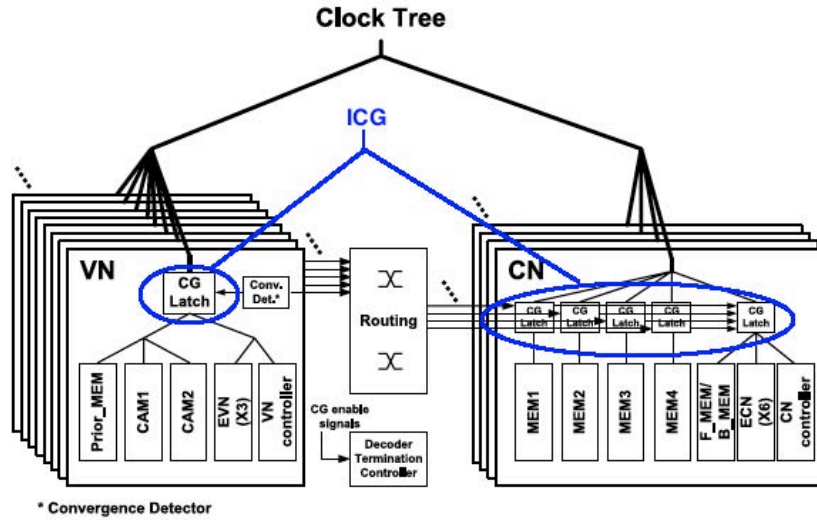


Figure 1.2: A practical example of clock gating strategy in the clock tree [15].

used ICG cells (primarily for single edge triggered flip-flops) are summarized in Chapter 2. The proposed more reliable ICG cell is described in Chapter 3 including the performance analysis compared with the two existing topologies. The conclusion and future works are included in Chapter 4.

Chapter 2

Existing Integrated Clock Gating Cells

The particular clock gating strategy that would be implemented in a circuit is decided during the synthesis stage and depends primarily on the specific design characteristics such as the number of registers that use the clock signal, choice of symmetrical cells and the threshold voltage of the ICG cells [16]. There are multiple available ICG cell topologies [17, 18]. Among these cells, the two most commonly used are the latch-based ICG cells. Latch based ICG cells are improved versions of the previous approaches that use only an AND or NOR gate. The outputs of the flip-flops driven by these ICG cells have one clock cycle delay added to the propagation time due to the latch insertion [13]. These designs, however, are preferred as they reduce the possibility of a hazard in the gated clock signal (GClk) due to the transition time difference between *enable* (En) and clock signal (Clk).

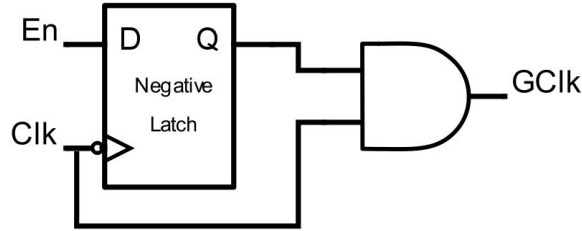


Figure 2.1: Latch-AND based ICG cell for positive edge triggered flip-flops.

2.1 Latch-AND based ICG

A latch-AND ICG cell consists of an active low latch followed by an AND gate, and is primarily used to drive positive edge triggered flip-flops. The latch is added to eliminate any hazard in the En signal which otherwise could propagate to the GClk.

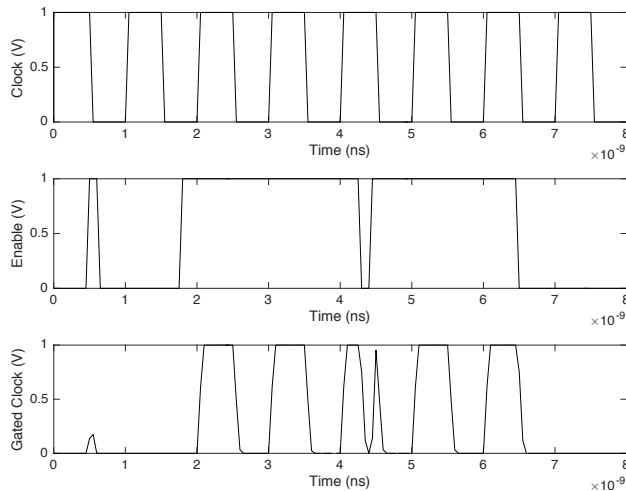


Figure 2.2: Clock gating using only AND gate.

As shown in Fig. 2.2, using only an AND gate is not sufficient for proper clock gating, as the glitch propagates to the gated clock signal (GClk). How-

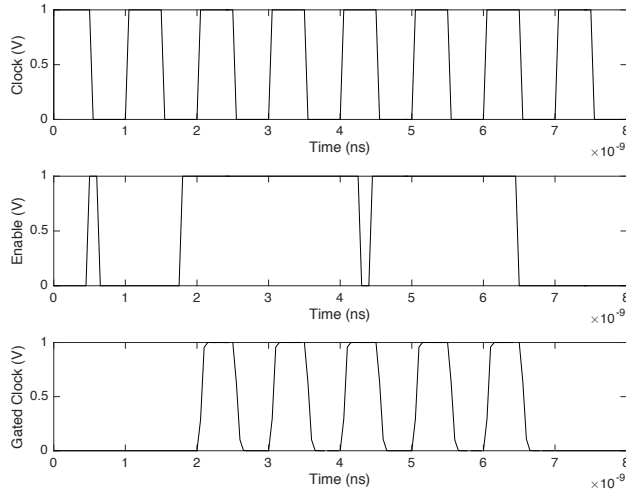


Figure 2.3: Clock gating using latch-AND based ICG cell.

ever, the GClk in Fig. 2.3 is free of glitches since a latch-AND based ICG is used. Using the active low latch helps to synchronize the GClk and prevents

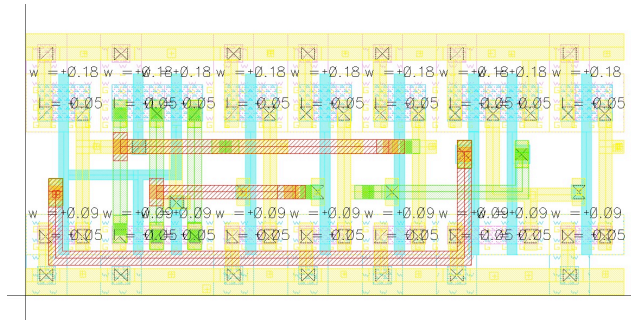


Figure 2.4: Layout of the latch-AND based ICG cell.

the propagation of any glitches that occur in the En signal. The layout of this ICG cell in 45 nm technology is illustrated in Fig. 2.4. Note that a NAND gate can be used instead of the AND to achieve a gated high ICG cell, if needed.

2.2 Latch-NOR based ICG

A latch-NOR ICG cell performs similar to the latch-AND based ICG cell with the exception that this latch is active high and there is a NOR gate instead of an AND at the output stage, as depicted in Fig. 2.5. This ICG cell topology is

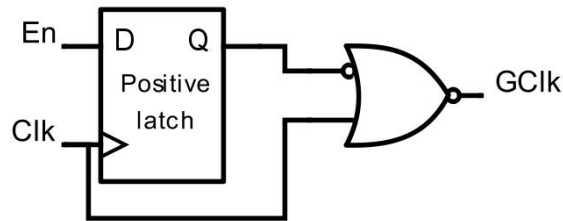


Figure 2.5: Latch-NOR ICG cell for negative edge triggered flip-flops.

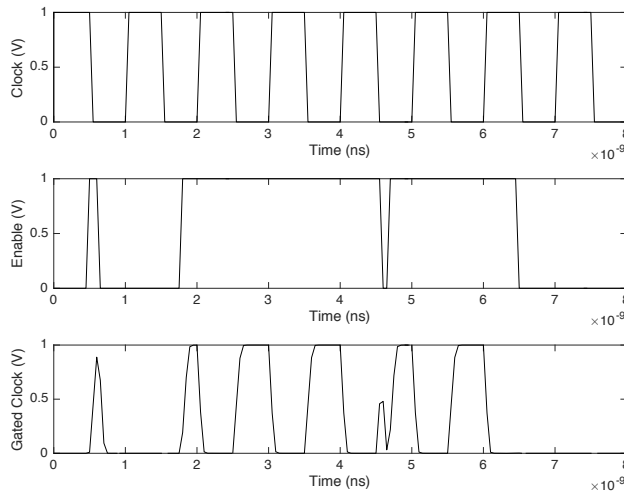


Figure 2.6: Clock gating using only NOR gate.

primarily used for circuits having negative edge triggered flip-flops. The latch eliminates the propagation of any hazard in the En to the GClk signal. Also note that this ICG changes the polarity of the global clock signal.

As shown in Fig. 2.6, having only a NOR gate causes the glitch in the En to propagate to the GClk signal. A glitch-free GClk is obtained after adding an active high latch, as shown in Fig. 2.7. Finally, the layout of this ICG cell

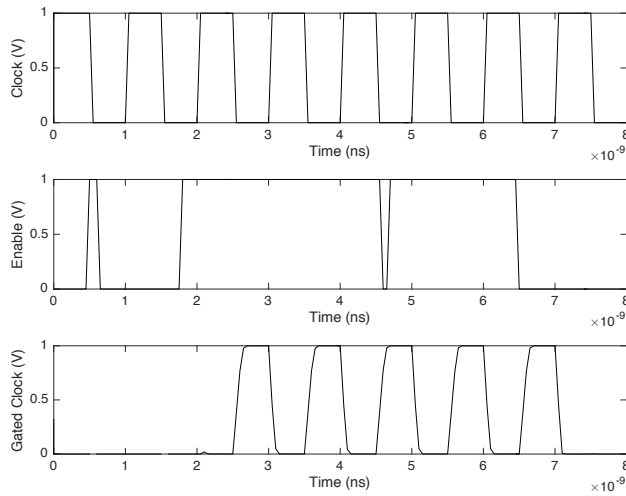


Figure 2.7: Clock gating using latch-NOR based ICG cell.

is illustrated in Fig. 2.8. Note that if the NOR gate is replaced by an OR gate, the circuit works as a gated high ICG cell.

These existing ICG cells are popular as they can provide an almost glitch-free GClk without conserving much energy and area. However, under par-

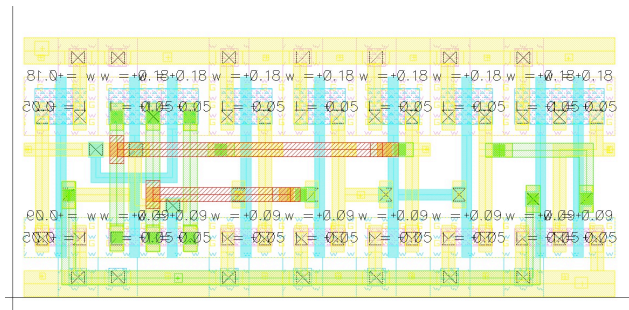


Figure 2.8: Layout of the latch-NOR based ICG cell.

ticular conditions, these ICG cells may sacrifice reliability and cause faulty operations, as demonstrated in this thesis. These issues are discussed in the following chapter and a new ICG cell is proposed that can eliminate these reliability issues.

Chapter 3

Proposed Glitch-Free Integrated Clock Gating Cell

3.1 Limitation of the Existing ICGs

An ICG cell is used in the clock tree to achieve lower power consumption by controlling the clock (Clk) signal. It incorporates an enable (En) signal that controls the clock operation. As a result, a new gated clock (GClk) signal is achieved which does not switch when En is active. The En signal is generated from a combinational circuit and can have glitches at arbitrary points in time.

In Figs. 3.1 and 3.2, the En is considered to have glitches at four different time instances: when Clk is high, when Clk is low and during both the high-to-low and low-to-high transitions of the Clk signal. Note that a latch-AND based ICG is used in Fig. 3.1 whereas a latch-NOR based ICG is used in Fig. 3.2. As shown in Fig. 3.1, if there is a glitch in the En during the rising transition of the global clock, that particular clock cycle does not propagate to the GClk. This issue makes a latch-AND based ICG cell effective for only positive edge triggered flip-flops where glitches are not expected to occur during the rising transition of the clock. However, for a negative or dual edge triggered flip-flop

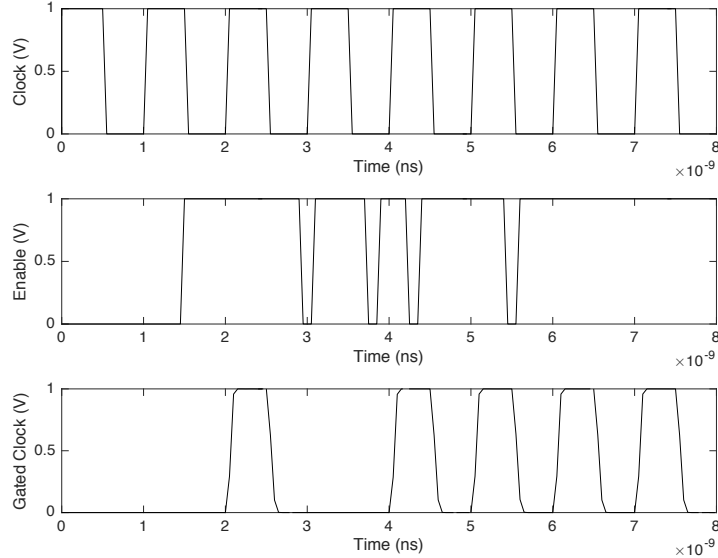


Figure 3.1: Gated clock from latch-AND based ICG cell when En has glitches.

based design, using this ICG cell degrades reliability due to the faulty GClk signal.

As shown in Fig. 3.2 (where latch-NOR based ICG cell is used), the GClk misses one clock cycle if there is a glitch in the En signal during the falling transition of the global clock. Thus, a latch-NOR based ICG cell can be effectively used to drive negative edge triggered flip-flops, where glitches are not expected to occur during the falling transition of the clock.

As seen from the figures, the ICG cells currently used for single edge triggered flip-flops cannot be fully reliable as En signal can exhibit glitches during both the rising and falling transitions of the clock signal. This phenomenon is particularly true for dual edge triggered flip-flops that latch data at both clock edges. Thus, it is critical to have an uninterrupted GClk when the En is high, but exhibit glitches.

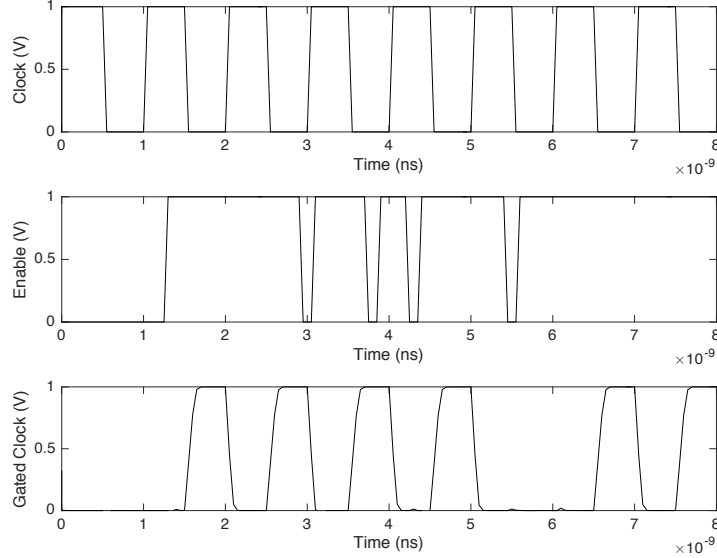


Figure 3.2: Gated clock from latch-NOR based ICG cell when En has glitches.

3.2 Proposed ICG Cell Design

The proposed ICG cell is shown in Fig. 3.3. The gated clock signals at the output of an active low latch-NAND ICG (A) and an active high latch-NOR ICG (B) cells are selected by a MUX. The select signal of the MUX is the AND-ed output of the Clk and the En signals, so that the final GClk is sensitive to the state of En. The result is an inverted GClk, which is then connected to an inverter to obtain the final GClk signal.

Using the latch-NAND based ICG instead of the latch-AND helps to eliminate one inverter. The timing diagram depicted in Fig. 3.4 demonstrates that the proposed design eliminates any glitches in the GClk while the En signal exhibits similar type of glitches shown for the existing ICG cells.

A detailed timing diagram and waveforms are shown in Fig. 3.5 where the

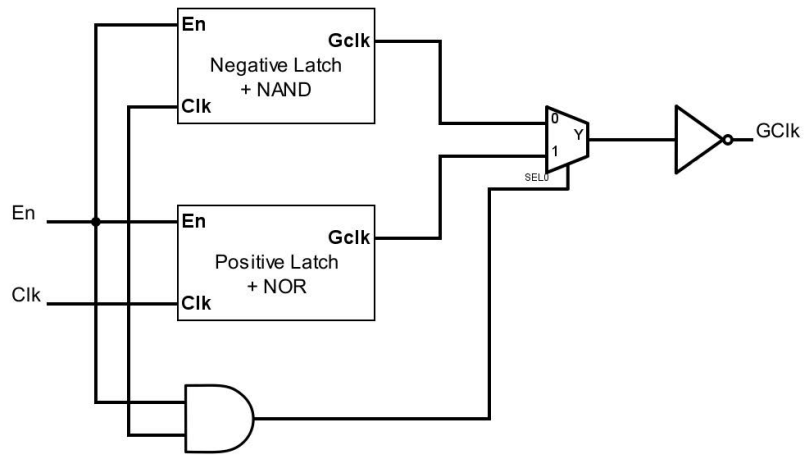


Figure 3.3: Gate level schematic of the proposed ICG cell.

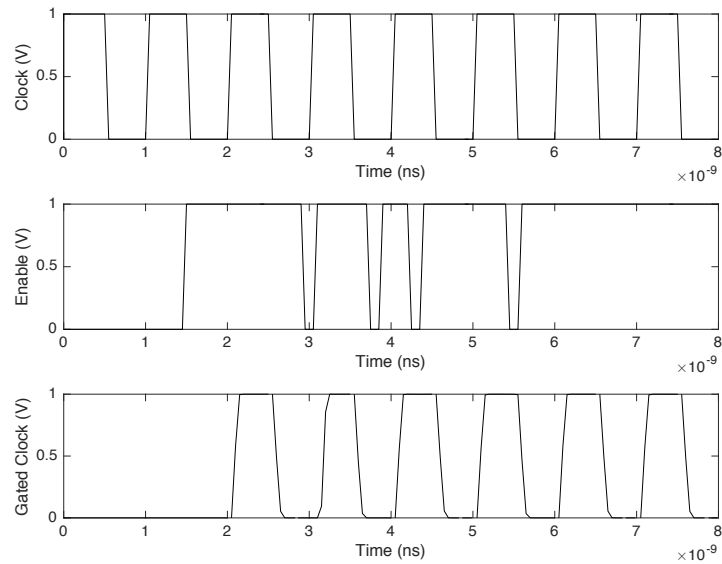


Figure 3.4: Gated clock of the proposed ICG cell when En has glitches.

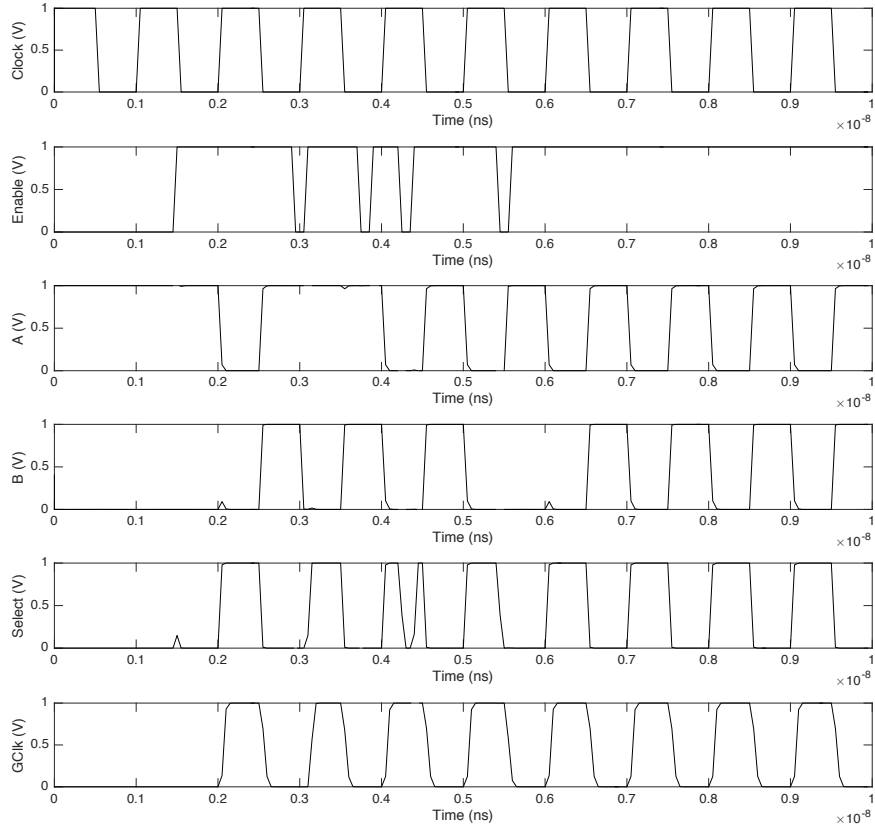


Figure 3.5: Gated clock of the proposed ICG cell including the intermediate signals.

proper functionality of the proposed ICG cell is illustrated. When En is at logic high, the output of the MUX follows the clock signal. When clock is 0, signal A is selected ensuring that no clock edge is missed if there is a glitch in the En signal during the falling transition of the clock. Alternatively, when clock is 1, signal B is selected to ensure that all of the clock edges are present at $GClk$ even when there is a glitch at the En during the rising clock transition.

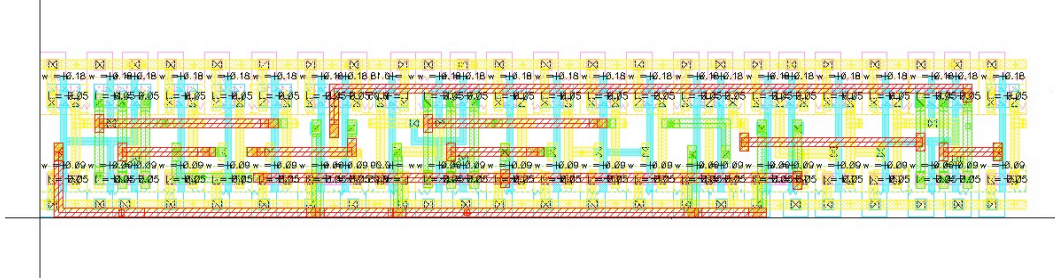


Figure 3.6: Layout of the proposed ICG cell.

In summary, each of the ICG cells for single edge triggered flip-flops ensures that the glitches propagated to the GClk by the other one are eliminated. The final result of the circuit is an uninterrupted gated clock signal when the En is high. The layout of the proposed ICG cell in 45 nm CMOS technology is depicted in Fig. 3.6.

3.3 Use of the Proposed ICG Cell for Dual Edge Triggered Flip-flops

The use of dual edge triggered flip-flops has gained popularity in low voltage, low power circuits for its ability to provide the same throughput while operating at half the clock frequency [19, 20]. Furthermore, registers having dual edge triggered flip-flops are more efficient in saving energy than the single edge triggered flip-flops [21, 22]. Thus, dual edge triggered flip-flops are frequently used in SoCs for low power applications that require high throughput. There are various approaches for dual edge triggered flip-flops with inherent clock gating techniques [23]. One important aim of this thesis is to design an ICG cell that can be used for any kind of flip-flop. The proposed cell is particularly effective for dual edge triggered flip-flops as the glitches that may occur in

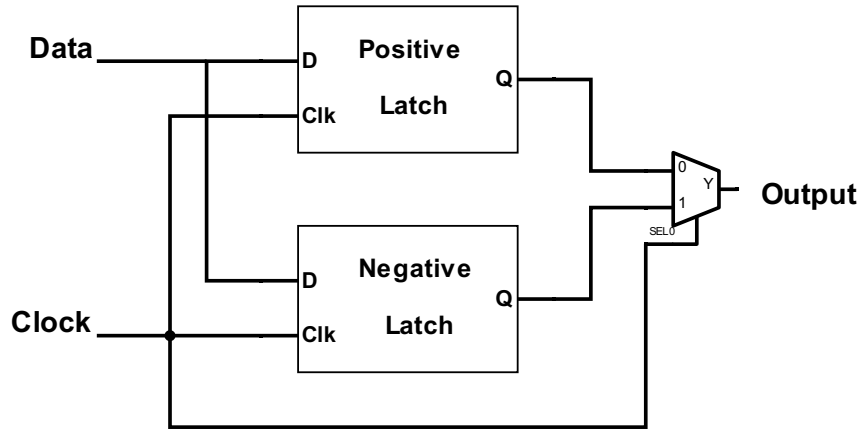


Figure 3.7: A traditional dual edge triggered flip-flop using latches and MUX [24].

the En signal at any clock transition are eliminated at the gated clock signal, thereby ensuring that the dual edge triggered flip-flop does not miss any of the clock edges to properly latch data.

A traditional dual edge triggered flip-flop is used in this thesis [24]. The flip-flop incorporates two opposite latches and a MUX, as shown in Fig. 3.7. The select of the MUX is the clock signal so that the output of the positive level sensitive latch is selected when clock is 0 and the output of the negative level sensitive latch is selected when the clock is 1. The output of the MUX produces the output of the flip-flop.

Figs. 3.8, 3.9 and 3.10 are shown simultaneously to illustrate the difference between using the proposed ICG cell for clock gating as opposed to using the existing ICGs. As the latch-AND and latch-NOR ICGs miss clock edges when En signal has glitches during the clock transitions, the dual edge triggered flip-flop cannot latch the data for those clock edges, thus providing a wrong

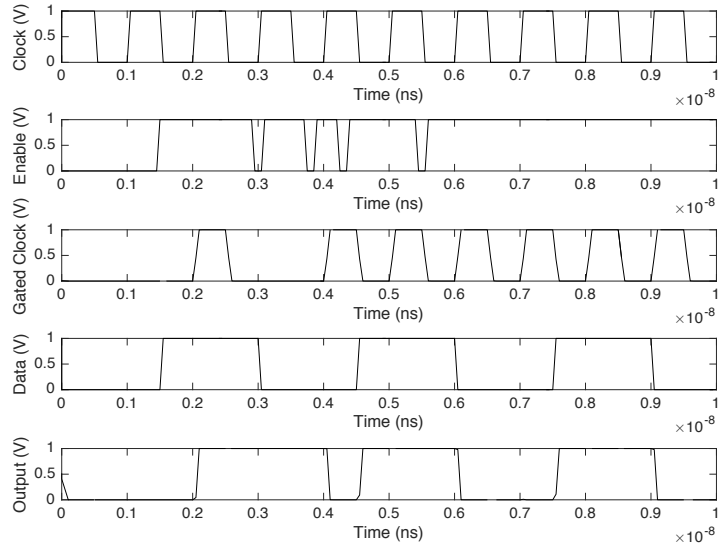


Figure 3.8: Faulty operation of a dual edge triggered flip-flop when gated by a latch-AND based ICG cell.

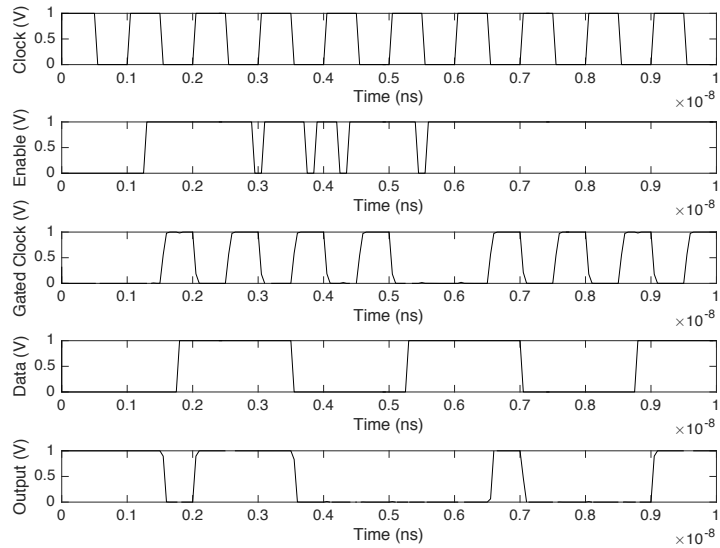


Figure 3.9: Faulty operation of a dual edge triggered flip-flop when gated by a latch-NOR based ICG cell.

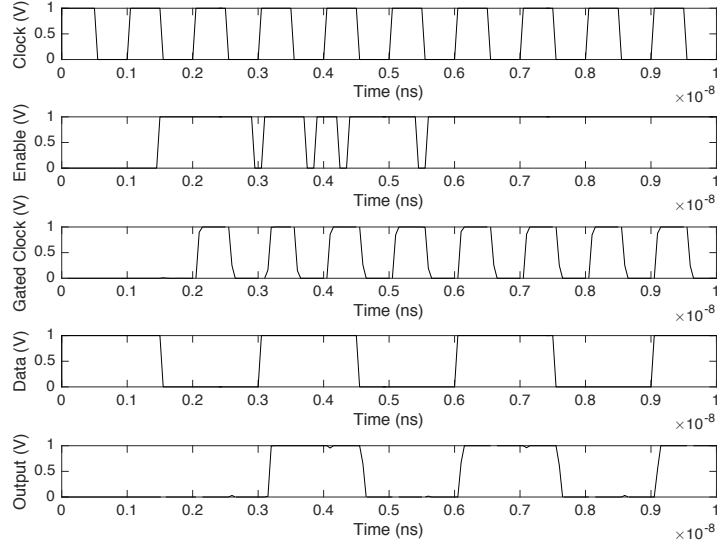


Figure 3.10: Proper operation of a dual edge triggered flip-flop when gated by the proposed ICG cell.

output. As shown in Fig. 3.10, the dual edge triggered flip-flop produces the correct output as the proposed ICG does not miss any clock edge in GClk.

3.4 Behavior of the Proposed ICG Cell When Clock is Gated

The proposed ICG cell eliminates the issues related with the existing ICGs by maintaining a glitch-free GClk when En is at logic high. However, using an AND gate for the select signal of the MUX has a limitation as it can propagate glitches when En is low, as shown in Fig. 3.11. Note however that the main goal of this ICG cell is to obtain an uninterrupted GClk when the En is high, as the flip-flops are gated when the En is low and the input data signals are stable.

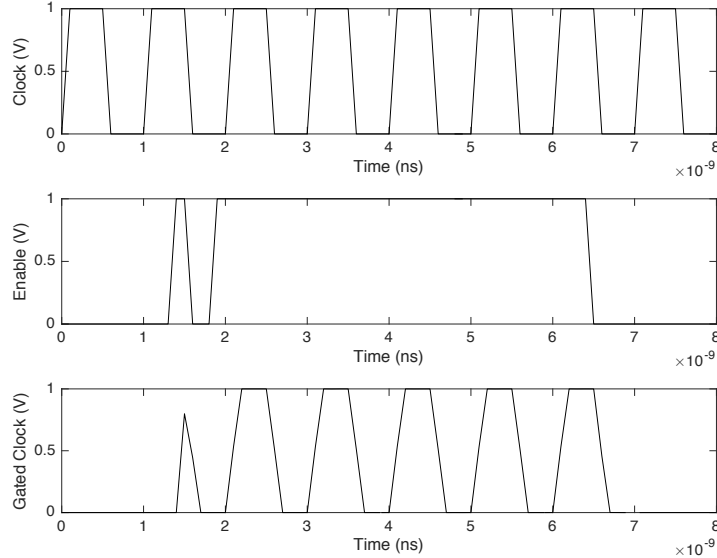


Figure 3.11: GClk if there are glitches when En is zero.

3.5 Sensitivity of the Proposed ICG Cell to Glitch Pulse-Width

Another important issue in the proposed ICG cell is the shortened pulse-width, as shown in Fig. 3.12 where a glitch occurs during the rising transition of the clock. As the En becomes zero for a short time interval, the MUX selects signal A rather than signal B. Thus, the pulse width of the gated clock signal is shortened in proportional to the pulse width of the glitch. In practice, the glitches are fast with sufficiently small pulse widths, and this effect can be ignored, provided that the gated clock signal does not miss any transitions.

As discussed above, the proposed ICG cell provides a glitch-free and uninterrupted gated clock signal for all of the three kinds of flip-flops when the En signal is high. The proposed cell is compared with the existing ICG cells

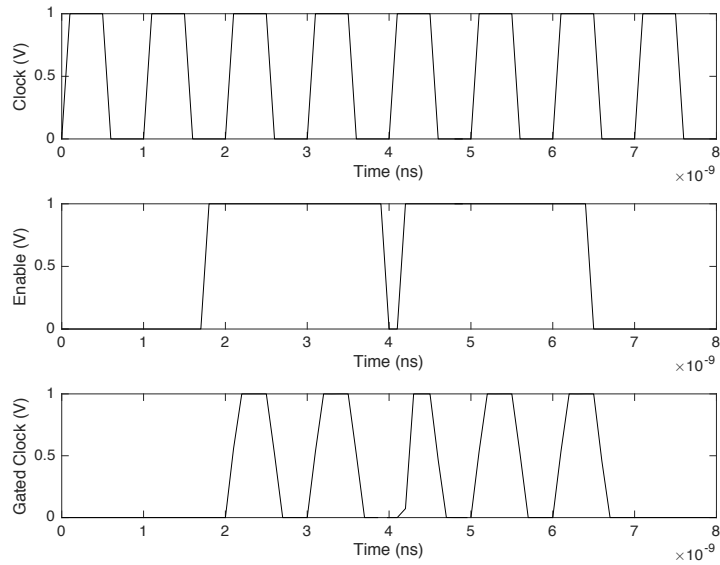


Figure 3.12: A smaller pulse-width in gated clock signal when there is a glitch in En during the rising transition of the clock.

in terms of power consumption, delay and layout area, as discussed in the following section.

3.6 Performance Comparison

The performance of the proposed ICG cell is compared with the existing ICG cells. All of the ICG cells are simulated using 45 nm CMOS technology and are operated by a supply voltage of 1.0 V at a clock frequency of 1 GHz.

| ICG cell | Avg. Power Consumption when Clock is Not Gated (μW) | Avg. Power Consumption when Clock is Gated (μW) | Clk to GClk Delay (ps) | Layout Area (μm^2) | Glitch Characteristics |
|-------------------|--|--|----------------------------|---------------------------|-----------------------------|
| Latch-AND based | 9.13 | 2.22 | 51.11 | 3.816 | glitches occur ¹ |
| Latch-NOR based | 7.47 | 1.72 | 42.36 | 3.816 | glitches occur ² |
| Proposed ICG cell | 22.31 | 4.09 | 86.14 | 10.137 | no glitches ³ |

Table 3.1: Performance comparison of the proposed ICG cell with the existing ICG cells.

A comparative analysis between the proposed ICG cell and the existing ICG cells are listed in Table 3.1. According to Table 3.1, the proposed ICG cell has higher latency and increased power consumption (by almost a factor of 2 to 2.5 when compared to the existing ICGs). However, note that a reliable

¹When there is a glitch in the En during rising clock transition.

²When there is a glitch in the En during falling clock transition.

³When there is a glitch in the En during both rising and falling clock transitions.

and glitch-free gated clock signal is obtained despite the glitches in the enable signal. Furthermore, the proposed ICG cell is particularly applicable to dual edge triggered flip-flops since the enable signal may exhibit glitches during both transitions.

Chapter 4

Conclusion

Integrated clock gating cell is an important component of low power circuits since clock gating is a typical practice to reduce dynamic power consumption. New techniques such as intelligent clock gating and energy recovery clock gating have been proposed to satisfy the demand of low power and high speed circuits [25,26].

In this thesis, a new ICG cell is proposed with guaranteed glitch-free gated clock signal for both single edge and dual edge triggered flip-flops. The proposed cell is compared with the existing ICG cells. The existing ICG cells produce a faulty gated clock signal if glitches occur in the *enable* signal during the transitions of the clock. The proposed ICG cell eliminates this issue and ensures an uninterrupted gated clock. As dual edge triggered flip-flops are preferable for high throughput circuits, the proposed ICG cell can be highly useful for these applications.

All of the three ICG cells were designed and simulated in 45 nm CMOS technology. The comparison results demonstrate that higher reliability is achieved at the expense of higher delay and greater power consumption.

Appendix A

Schematic Figures

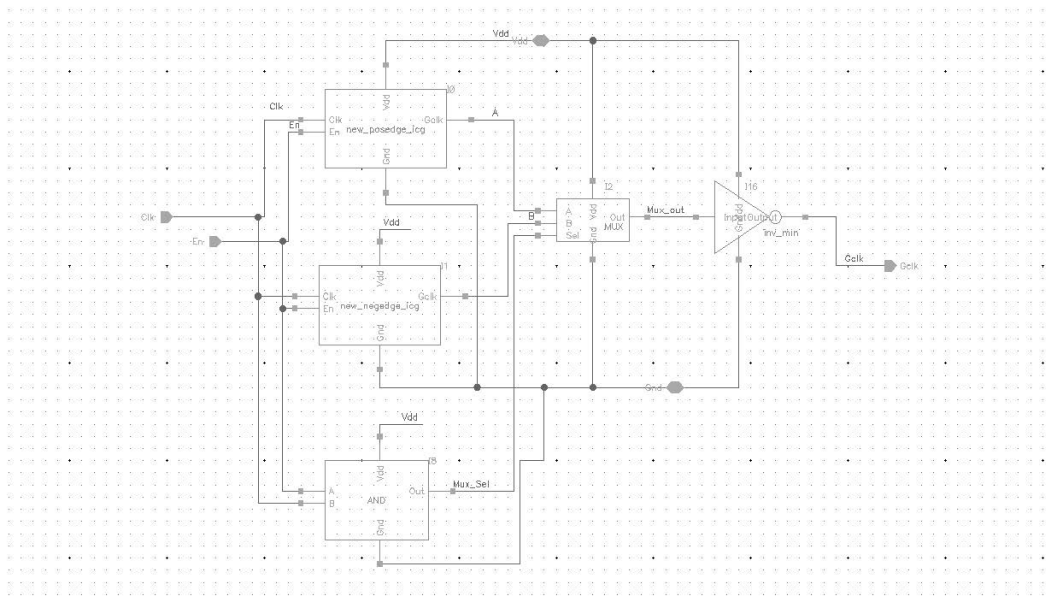


Figure A.1: Schematic diagram of the proposed ICG cell.

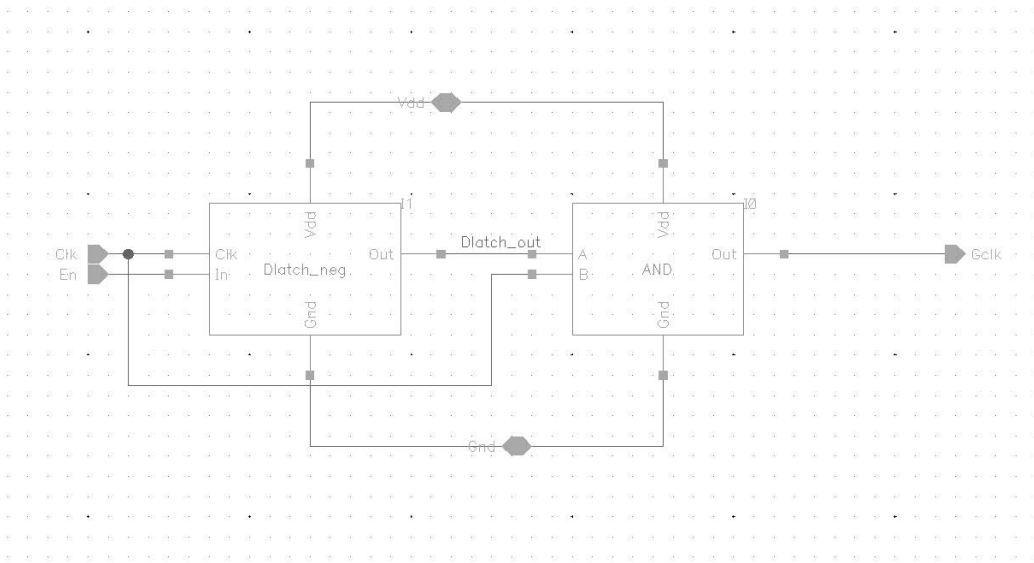


Figure A.2: Schematic diagram of the latch-AND ICG cell.

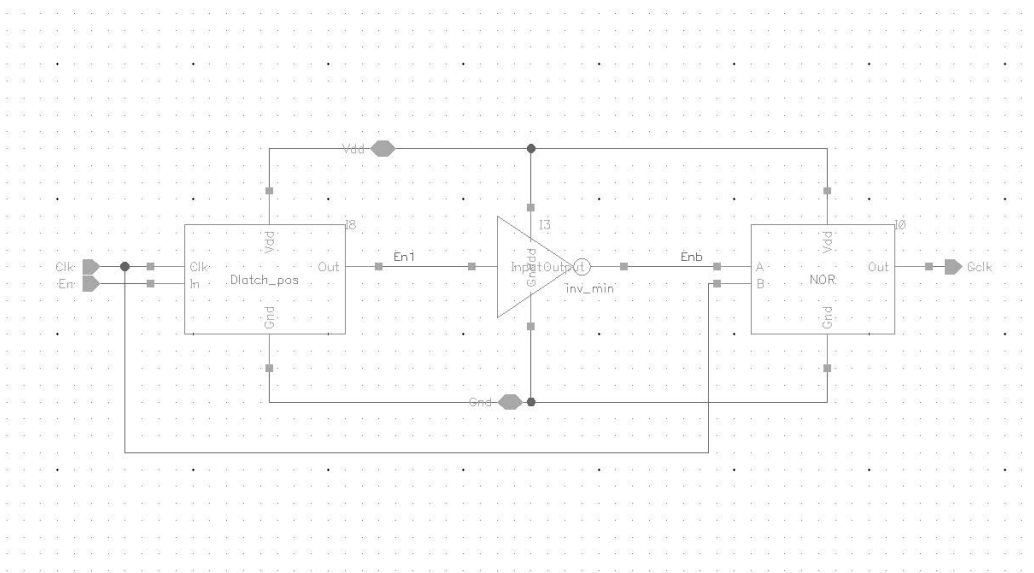


Figure A.3: Schematic diagram of the latch-NOR ICG cell.

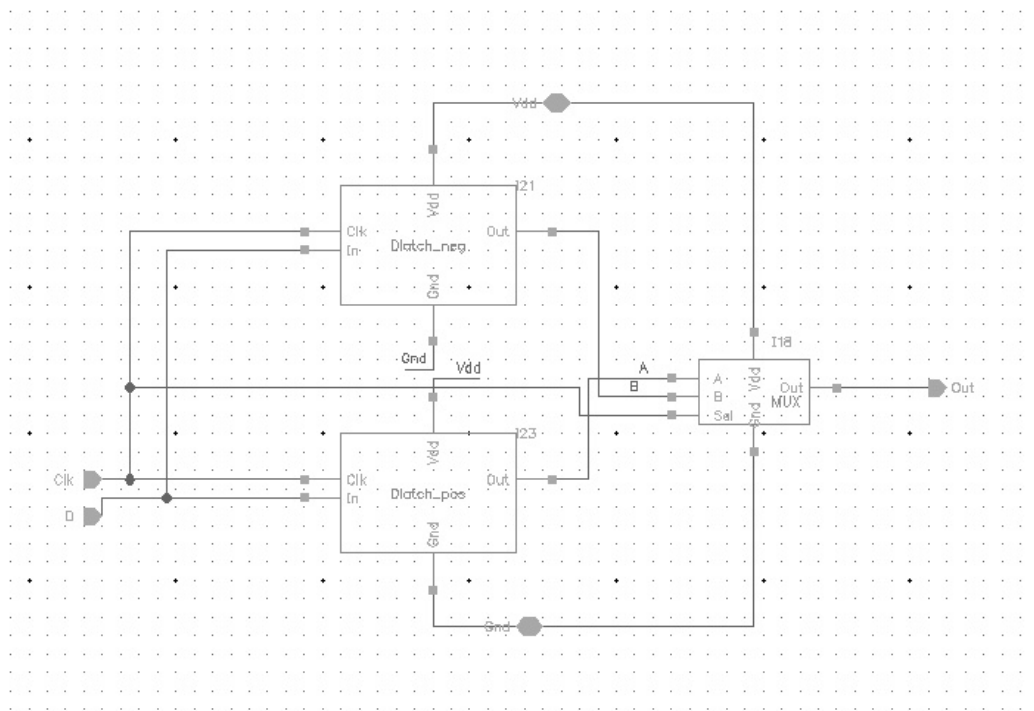


Figure A.4: Schematic diagram of the dual edge triggered flip-flop.

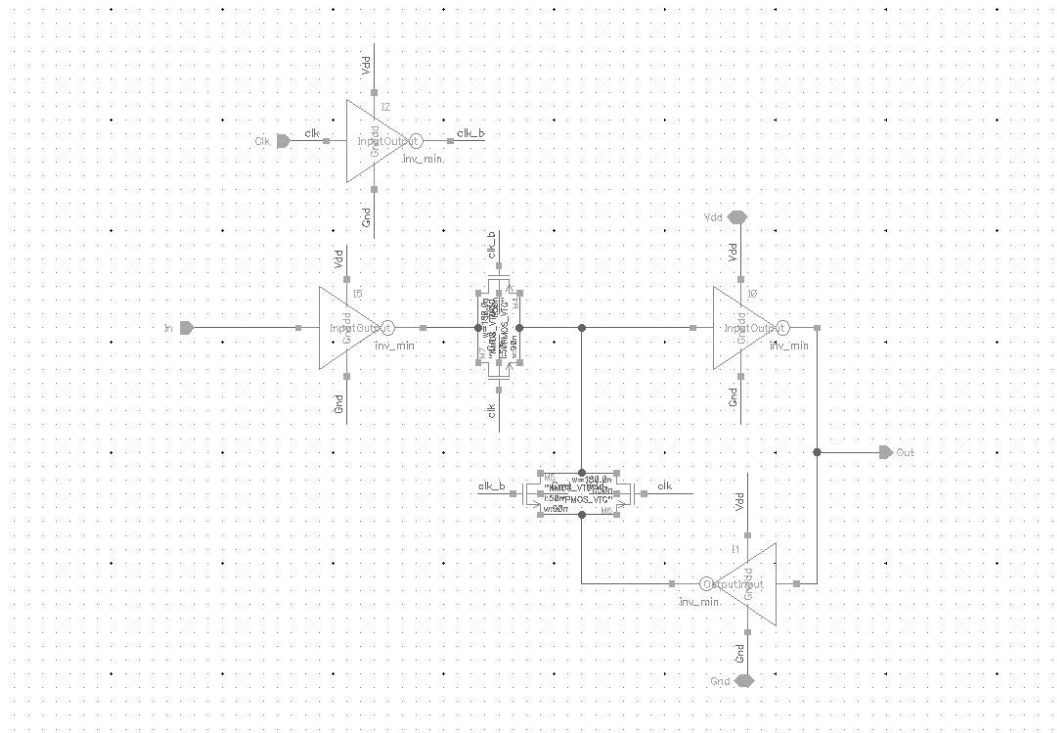


Figure A.5: Schematic diagram of the positive level sensitive latch

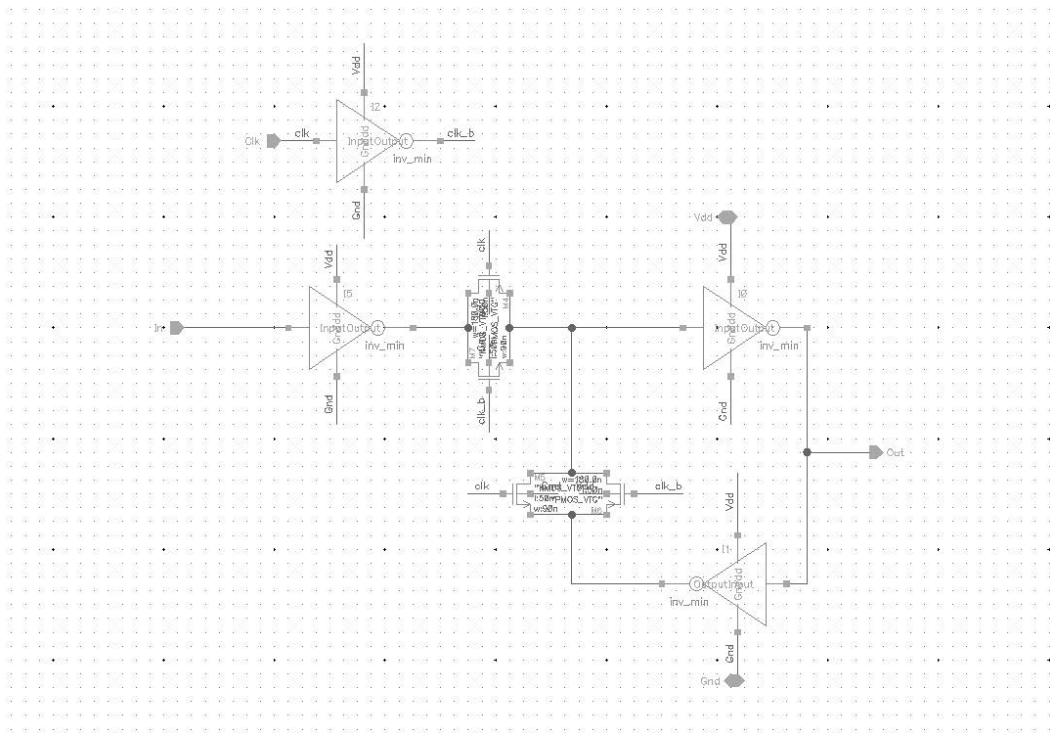


Figure A.6: Schematic diagram of the negative level sensitive latch

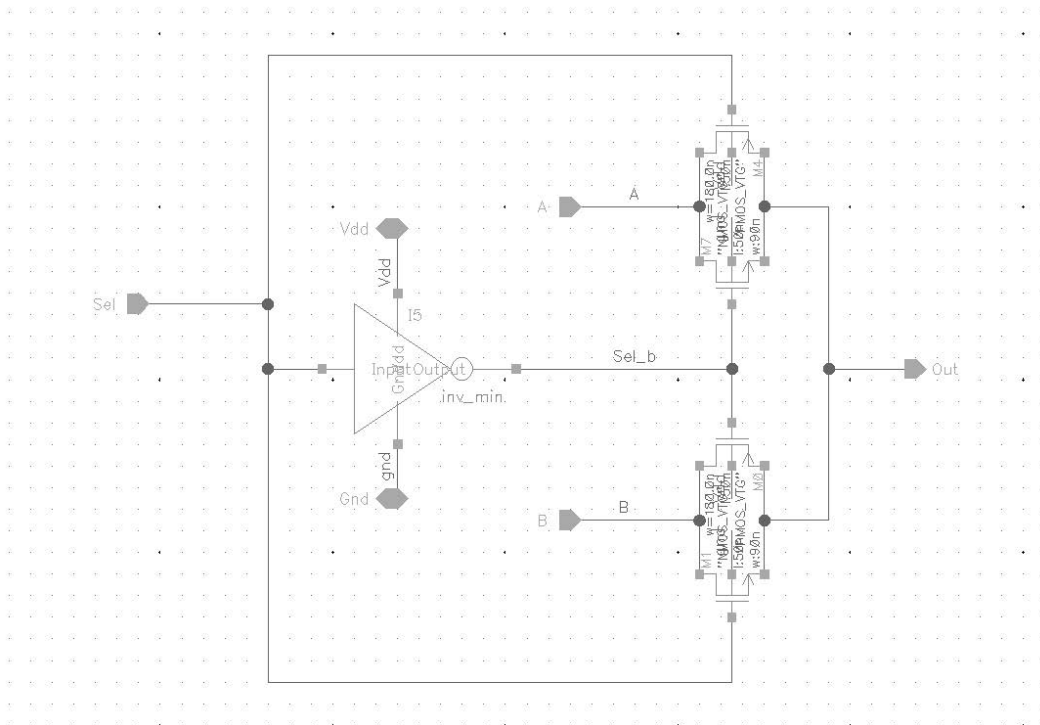


Figure A.7: Schematic diagram of the 2 to 1 multiplexer

Bibliography

- [1] L. Benini, G. D. Micheli, E. Macii, M. Poncino, and R. Scarsi, “Symbolic synthesis of clock-gating logic for power optimization of control-oriented synchronous networks,” in *European Design and Test Conference*, Mar 1997, pp. 514–520.
- [2] M. Saint-Laurent and A. Datta, “A low-power clock gating cell optimized for low-voltage operation in a 45-nm technology,” in *Proceedings of the ACM/IEEE International Symposium on Low-Power Electronics and Design (ISLPED)*, Aug 2010, pp. 159–163.
- [3] M. Horowitz, T. Indermaur, and R. Gonzalez, “Low-power digital design,” in *Low Power Electronics, Digest of Technical Papers., IEEE Symposium*, Oct 1994, pp. 8–11.
- [4] W. Liu, E. Salman, B. Taskin, and C. Sitik, “Clock skew scheduling in the presence of heavily gated clock networks,” in *Proceedings of the ACM/IEEE Great Lakes Symposium on VLSI*, May 2015, pp. 283–288.
- [5] W. Liu, E. Salman, C. Sitik, and B. Taskin, “Exploiting useful skew in gated low voltage clock trees for high performance,” in *Proceedings of the IEEE Int. Symposium on Circuits and Systems*, May 2016.

- [6] C. Sitik, W. Liu, B. Taskin, and E. Salman, “Design methodology for voltage-scaled clock distribution networks,” *IEEE Transactions on Very Large Scale Integration (VLSI) Systems*, vol. PP, no. 99, pp. 1–14, 2016.
- [7] C. Sitik, L. Filipini, E. Salman, and B. Taskin, “High performance low swing clock tree synthesis with custom d flip-flop design,” in *Proceedings of the IEEE Computer Society Annual Symposium on VLSI*, July 2014, pp. 498–503.
- [8] C. Sitik, E. Salman, L. Filippini, S. J. Yoon, and B. Taskin, “Finfet-based low-swing clocking,” *ACM Journal on Emerging Technologies in Computing Systems (JETC)*, vol. 12, no. 13, August 2015.
- [9] M. Rathore, W. Liu, E. Salman, C. Sitik, and B. Taskin, “A novel static d flip-flop topology for low swing clocking,” in *Proceedings of the ACM/IEEE Great Lakes Symposium on VLSI*, May 2015, pp. 301–306.
- [10] E. Salman and E. G. Friedman, *High Performance Integrated Circuit Design*. Mcgraw-Hill, 2012.
- [11] S. Huda, M. Mallick, and J. H. Anderson, “Clock gating architectures for fpga power reduction,” in *International Conference on Field Programmable Logic and Applications*, Aug 2009, pp. 112–118.
- [12] V. Tiwari, D. Singh, S. Rajgopal, G. Mehta, R. Patel, and F. Baez, “Reducing power in high-performance microporeprocessors,” in *Proceedings of the 35th annual Design Automation conference*, 1998, pp. 732–737.

- [13] J. Kathuria, M. Ayoubkhan, and A. Noor, "A review of clock gating techniques," *MIT International Journal of Electronics and Communication Engineering*, vol. 1, no. 2, pp. 106–114, 2011.
- [14] B. Pangrie and P.-H. Ho, "Placement driven power optimization at 90nm and below," *SOCcentral*, 2005.
- [15] Y. S. Park, Y. Tao, and Z. Zhang, "A 1.15gb/s fully parallel nonbinary ldpc decoder with fine-grained dynamic clock gating," in *IEEE International Solid-State Circuits Conference Digest of Technical Papers*, Feb 2013, pp. 422–423.
- [16] A. Shrivastava, "Clock gating: Smart use ensures smart returns," *www.embedded.com*, 2009.
- [17] A. G. M. Strollo, E. Napoli, and D. D. Caro, "New clock-gating techniques for low-power flip-flops," in *Proceedings of the International Symposium on Low Power Electronics and Design*, 2000, pp. 114–119.
- [18] R. Bhutada and Y. Manoli, "Complex clock gating with integrated clock gating logic cell," in *Proceedings of the International Conference on Design Technology of Integrated Systems in Nanoscale Era*, Sept 2007, pp. 164–169.
- [19] W. Chung, T. Lo, and M. Sachdev, "A comparative analysis of low-power low-voltage dual-edge-triggered flip-flops," *IEEE Transactions on Very Large Scale Integration (VLSI) Systems*, vol. 10, no. 6, pp. 913–918, Dec 2002.

- [20] C. Kim and S.-M. Kang, "A low-swing clock double-edge triggered flip-flop," *IEEE Journal of Solid-State Circuits*, vol. 37, no. 5, pp. 648–652, May 2002.
- [21] R. Hossain, L. D. Wronski, and A. Albicki, "Low power design using double edge triggered flip-flops," *IEEE Transactions on Very Large Scale Integration (VLSI) Systems*, vol. 2, no. 2, pp. 261–265, June 1994.
- [22] N. Nedovic, M. Aleksic, and V. G. Oklobdzija, "Timing characterization of dual-edge triggered flip-flops," in *Proceedings of the International Conference on Computer Design*, 2001, pp. 538–541.
- [23] X. Wang and W. H. Robinson, "A low-power double edge-triggered flip-flop with transmission gates and clock gating," in *Proceedings of IEEE International Midwest Symposium on Circuits and Systems*, Aug 2010, pp. 205–208.
- [24] T. A. Johnson and I. S. Kourtev, "A single latch, high speed double-edge triggered flip-flop (detff)," in *The 8th IEEE International Conference on Electronics, Circuits and Systems*, vol. 1, 2001, pp. 189–192.
- [25] F. Rivoallon and J. Balasubramanian, "Reducing switching power with intelligent clock gating," *Xilinx WP370 (v1.1)*, 2010.
- [26] V. Tirumalashetty and H. Mahmoodi, "Clock gating and negative edge triggering for energy recovery clock," in *IEEE International Symposium on Circuits and Systems*, May 2007, pp. 1141–1144.